

POINT TO POINT STRUCTURE (ONE OR MORE SLAVES PER DEVICE)

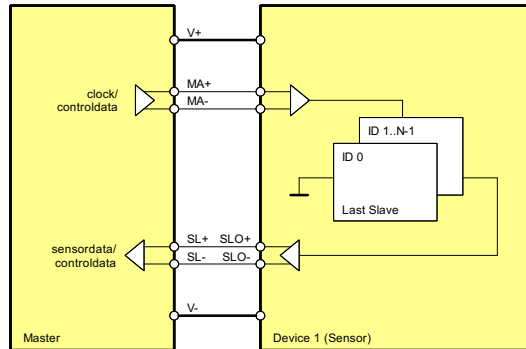


Figure 1: One or more BiSS slaves per device

BUS STRUCTURE (SEVERAL DEVICES CONNECTED TO A BUS LINE)

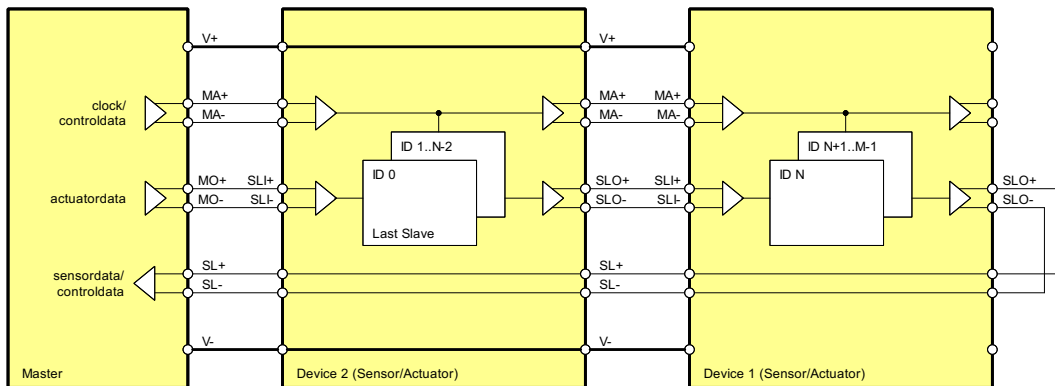


Figure 2: Several *BiSS* devices connected to a bus line

COUPLED BUS STRUCTURE (BUS COUPLING SEVERAL DEVICES CONNECTED TO A BUS LINE)

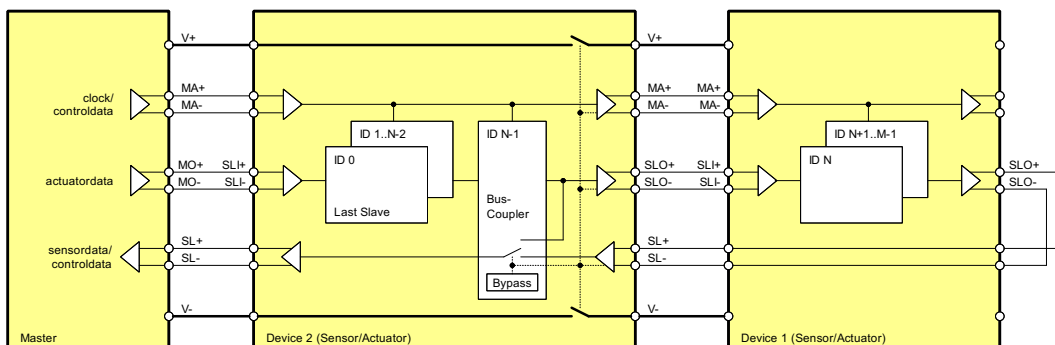


Figure 3: Several *BiSS* devices connected to a bus line, splittable by bus coupler

RECOMMENDED INTERFACE PLUG CONFIGURATIONS

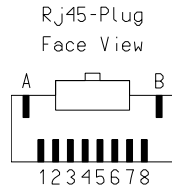


Figure 4: RJ45 BiSS connector

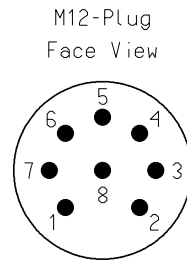


Figure 5: M12 BiSS connector

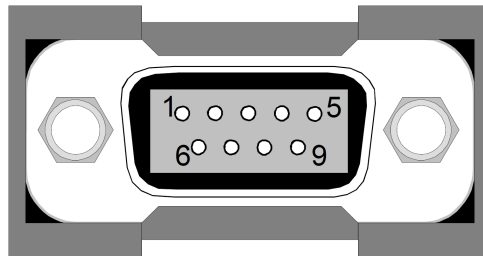


Figure 6: Sub-D 9 pin BiSS connector

BiSS line signals			RJ45	M12	SUB-D 9 pin
Master	Slave IN	Slave OUT			
V+	V+	V+	7,A	1	1(VB), 4(VDD)
V-	V-	V-	8,B	2	6(GND)
MA+	MA+	MA+	3	6	2
MA-	MA-	MA-	6	4	3
SL+	SL+	SL+	1	5	7
SL-	SL-	SL-	2	8	8
MO+	MO+	MO+	4	3	9
MO-	MO-	MO-	5	7	5

Table 1: BiSS line signals

Please refer to Yamaichi at <http://www.y-con.de> for details on YconRj45 plugs featuring separate power supply lines and class IP67 / IP68 / IP69K.